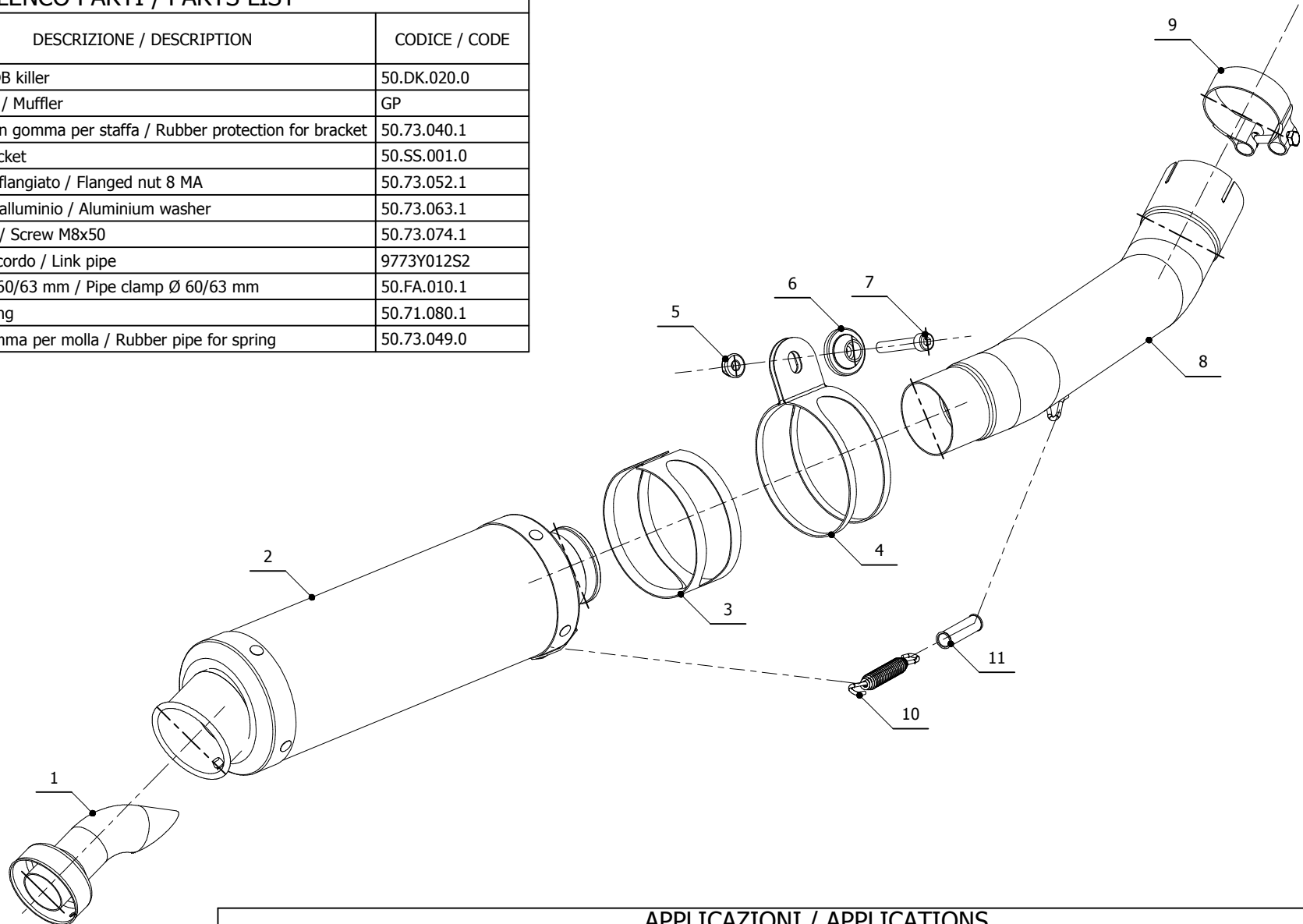


ELENCO PARTI / PARTS LIST

| # | QTÀ / QTY | DESCRIZIONE / DESCRIPTION | CODICE / CODE |
|----|-----------|--|---------------|
| 1 | 1 | DB killer / DB killer | 50.DK.020.0 |
| 2 | 1 | Silenziatore / Muffler | GP |
| 3 | 1 | Protezione in gomma per staffa / Rubber protection for bracket | 50.73.040.1 |
| 4 | 1 | Staffa / Bracket | 50.SS.001.0 |
| 5 | 1 | Dado 8 MA flangiato / Flanged nut 8 MA | 50.73.052.1 |
| 6 | 1 | Rondella in alluminio / Aluminium washer | 50.73.063.1 |
| 7 | 1 | Vite M8x50 / Screw M8x50 | 50.73.074.1 |
| 8 | 1 | Tubo di raccordo / Link pipe | 9773Y012S2 |
| 9 | 1 | Fascetta Ø 60/63 mm / Pipe clamp Ø 60/63 mm | 50.FA.010.1 |
| 10 | 1 | Molla / Spring | 50.71.080.1 |
| 11 | 1 | Tubo in gomma per molla / Rubber pipe for spring | 50.73.049.0 |



APPLICAZIONI / APPLICATIONS

| CODICE / CODE | TUBO / PIPE | SILENZIATORE / MUFFLER | FASCETTA / CLAMP | CODICE OMOL. / HOMOL. CODE |
|---------------|------------------|------------------------|------------------|----------------------------|
| 74.Y.012.LXS | INOX / ST. STEEL | INOX / ST. STEEL | INOX / ST. STEEL | ME008 e9 1176 |



**CERTIFICATO DI OMOLOGAZIONE
HOMOLOGATION CERTIFICATE
ABE-BESCHEINIGUNG
CERTIFICAT D'HOMOLOGATION**

| Tipo Silenziatore Silencer Type Auspuffsystem Typ Type de silencieux | Nr. Omologazione Homologation Nr. EU. Genehmigungsnummer Numéro d'homologation | Tipo veicolo Vehicle Type Fahrzeugstyp Type de véhicule | Modello Veicolo Vehicle Model Fahrzeugmodell Model de véhicule |
|---|---|---|--|
| ME008 | e9 1176 | RK000, RK001, RKC00, RKA00, RKB00, RKE00 R12 0307 A, R12 0303 A, R12 0407A R1ST RHP2 E8GS 0219A, E8GS 218A R21 0429 E8ST, E8ST 0217A PC35 ZX636B ZX600K ZR750, ZR750J, ZR750L ZXT00, ZX1000-C, ZXT00E, ZXT00J ZX600R WVB2, CE1, WVCV WVB3, CF1, WVCW WVB6 WVB1 C5, C511 RN01, RN04, RN09 RJ02 RJ05, RJ09 RN06 - RN14 LS LP LP, LPG0 | APRILIA RSV4, RSV4 R, FACTOY, APRC BMW R 1200 GS BMW R 1200 R BMW HP2 BMW F 800GS / F 650GS BMW R 1150 R F 800 R HONDA CBR 600 F/FS KAWASAKI ZX6R (636) KAWASAKI ZX6RR (600) KAWASAKI Z750 KAWASAKI ZX10R KAWASAKI ZX-6R SUZUKI GSX 600R SUZUKI GSX 750R SUZUKI GSX 1000R SUZUKI DL 650 V-STROM SUZUKI GSR 750 YAMAHA YZF R1 YAMAHA FZS 600 - FAZER YAMAHA YZF R6 YAMAHA FZS 1000 - FAZER MOTO GUZZI GRISO MOTOGUZZI BREVA 1100 MOTOGUZZI BREVA 1200 |

Il suddetto impianto di scarico, da noi prodotto, è conforme con la:
 The above exhaust system is in compliance with the:
 bestätigt, dass og von uns hergestelltes Auspuffsystem, der:
 Le système d'échappement susnommé est en conformité avec la :

***EC-Directive 97/24/EC Chapter 9
entspricht***

