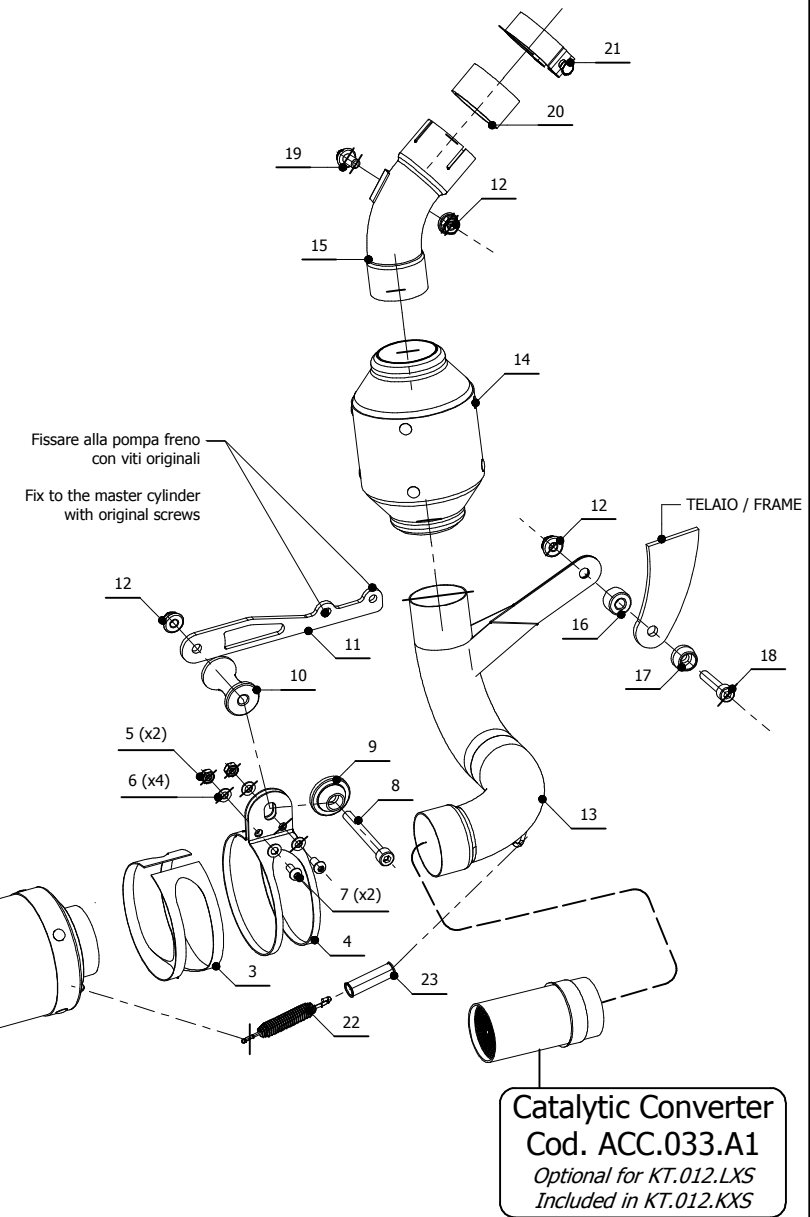
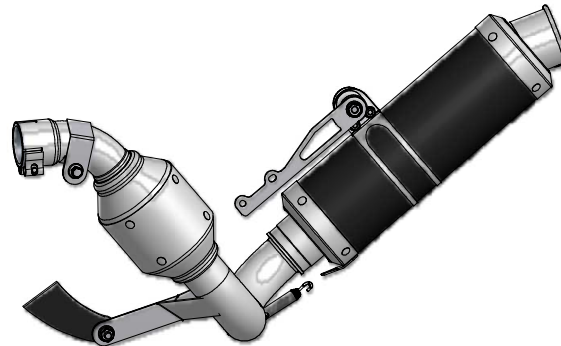
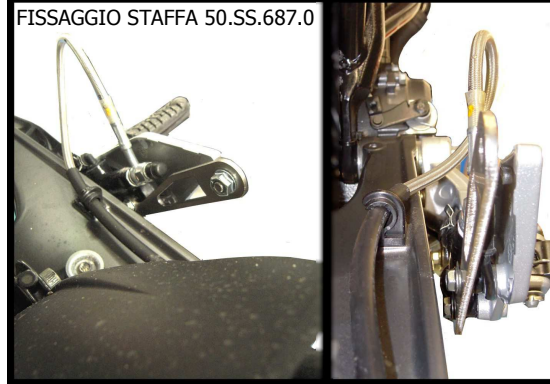


ELENCO PARTI / PARTS LIST

#	QTÀ / QTY	DESCRIZIONE / DESCRIPTION	CODICE / CODE
1	1	DB killer / DB killer	50.DK.020.0
2	1	Silenziatore / Muffler	GP
3	1	Protezione in gomma / Rubber protection	50.73.077.1
4	1	Staffa / Bracket	50.SS.241.1
5	2	Dado M6 autobloccante / M6 locknut	50.73.112.1
6	4	Rondella M6 / Washer M6	50.72.027.1
7	2	Vite M6 x 12 / Screw M6 x 12	50.72.024.1
8	1	Vite M8x70 / Screw M8x70	50.73.086.1
9	1	Rondella in alluminio / Aluminium washer	50.73.063.1
10	1	Distanziale in alluminio / Aluminium spacer	50.SS.150.1
11	1	Staffa / Bracket	50.SS.687.0
12	3	Dado M8 flangiato / Flanged nut M8	50.73.393.1
13	1	Tubo di raccordo / Link pipe	9773KT009S7B
14	1	Silenziatore / Muffler	9873KT009S2A
15	1	Tubo di raccordo / Link pipe	9773KT012S7A
16	1	Distanziale alluminio / Aluminium spacer	50.SS.058.1
17	1	Rondella in alluminio / Aluminium washer	50.73.248.1
18	1	Vite M8x40 / Screw M8x40	50.73.075.1
19	1	Vite M8x16 / Screw M8x16	50.73.006.1
20	1	Guarnizione in grafite / Graphite bush	50.72.42.49.29
21	1	Fascetta Ø 48/51 mm / Pipe clamp Ø 48/51 mm	50.FA.007.1
22	1	Molla lunga / Long spring	50.71.080.1
23	1	Tubo per molla / Rubber pipe for spring	50.73.049.0



APPLICAZIONI / APPLICATIONS

CODICE / CODE	TUBO / PIPE	SILENZIATORE / MUFFLER	FASCETTA / CLAMP	NOTE
74.KT.012.LXS	INOX / ST. STEEL	INOX / ST. STEEL	INOX / ST. STEEL	CATALYTIC CONVERTER NOT INCLUDED
74.KT.012.KXS	INOX / ST. STEEL	INOX / ST. STEEL	INOX / ST. STEEL	CATALYTIC CONVERTER INCLUDED



**CERTIFICATO DI OMOLOGAZIONE
HOMOLOGATION CERTIFICATE
ABE-BESCHEINIGUNG
CERTIFICAT D'HOMOLOGATION**

Tipo Silenziatore Silencer Type Auspuffsystem Typ Type de silencieux	Nr. Omologazione Homologation Nr. EU. Genehmigungsnummer Numéro d'homologation	Tipo veicolo Vehicle Type Fahrzeugstyp Type de véhicule	Modello Veicolo Vehicle Model Fahrzeugmodell Model de véhicule
ME060	e11 0942	IS C3, IS C2	KTM 390 DUKE

Il suddetto impianto di scarico, da noi prodotto, è conforme con la:

The above exhaust system is in compliance with the:

bestätigt, dass og von uns hergestelltes Auspuffsystem, der:

Le système d'échappement susnommé est en conformité avec la :

***EC-Directive 97/24/EC Chapter 9
entspricht***

